

Card holders for Eurocard electronic drivers

Card holders for rear mounting are available for electronic cards in Eurocard format (100x160) or double Eurocard format (233,4x160). These frames allow an easy mounting and connections of single cards in Eurocard format; they are realized in anti-flame material (VDE 0209) and they have a 32 or 64 pins connector with gold-plated contacts and terminal board for connections; a device for card locking is also fitted-in.

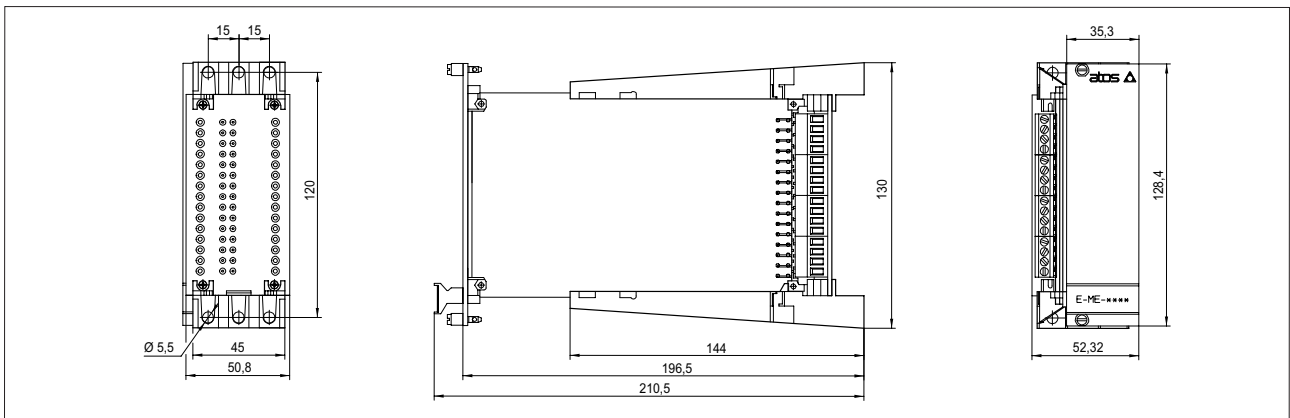
1 MODEL CODE

E-K	-	32M	-	2
Execution for double driver E-ME-T-2*H (see tech table TG170)				
<p>E-K = bearing frame for single card</p> <p>32M = rear panel fastening with 32 pins connector and terminal board for connections (DIN 41612/D) 64M = rear panel fastening with 64 pins connector and terminal board for connections (DIN EN 60603/G)</p>				

2 INSTALLATION DIMENSIONS [mm]

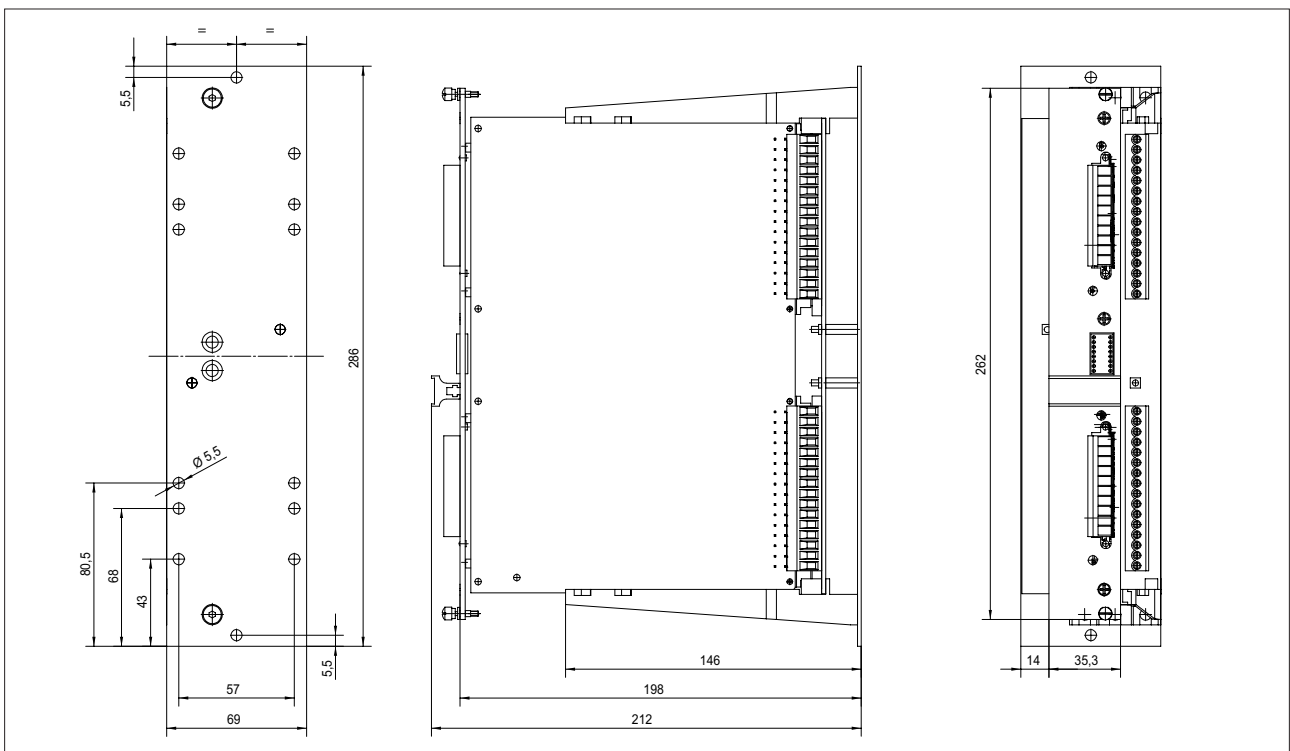
2.1 Type E-K-32M

For mounting the card insert and push it to the end; for pulling out the card keep lift the light brown lock.
 Available for drivers: **E-ME-AC**, **E-ME-T**, **E-ME-L**



2.2 Type E-K-32M-2

For mounting the card insert and push it to the end; for pulling out the card keep lift the light brown lock.
 Available for driver: **E-ME-T-2*H**



2.3 Type E-K-64M

For mounting the card insert and push it to the end; for pulling out the card push down both yellow actuating buttons.

Available for controllers type: **Z-ME-KZ**

